

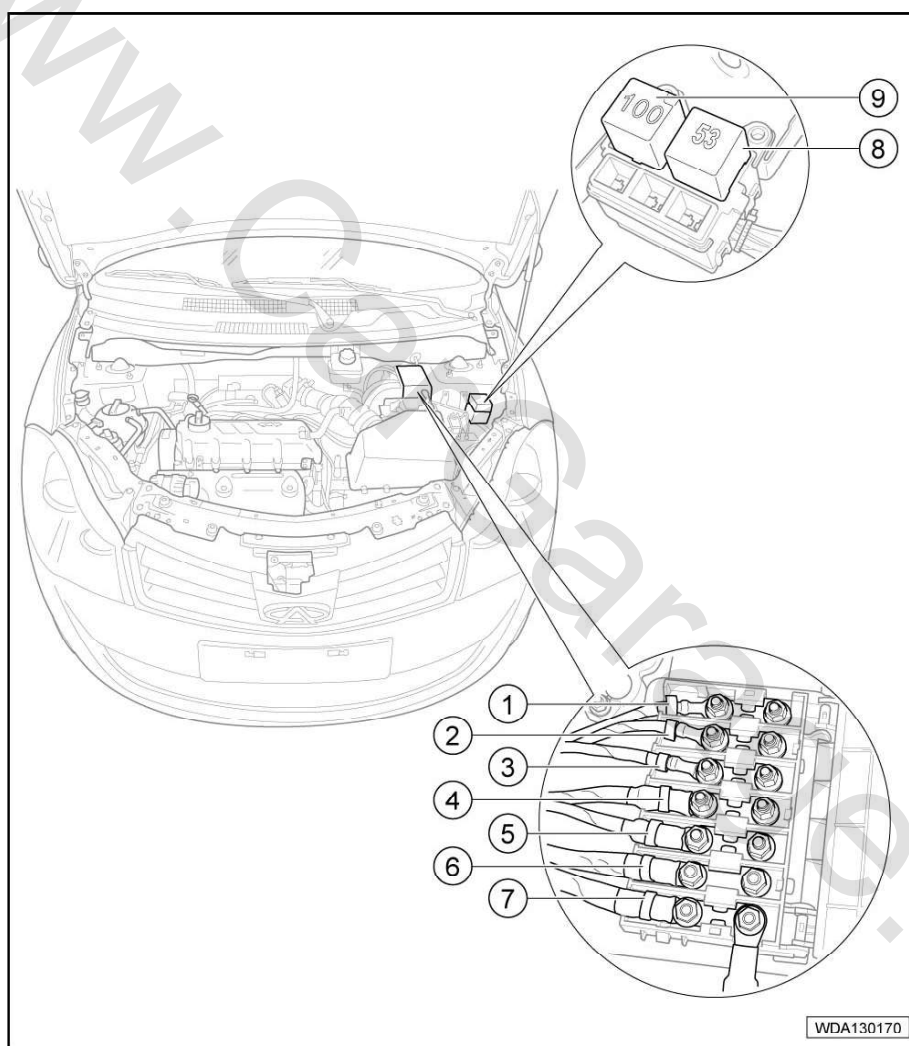
## 2.4 Fuse and relay

### 2.4.1 Introduction

Each system should be equipped with fuse and relay to ensure normal operation of the vehicle electrical system. The fuse and relay are integrated in the fuse/relay box which are installed in the following positions in the vehicle:

- Front compartment fuse box: installed on the battery cover.
- Front compartment relay box: installed next to the battery.
- Dashboard fuse/relay box: installed beneath the dashboard on the left.

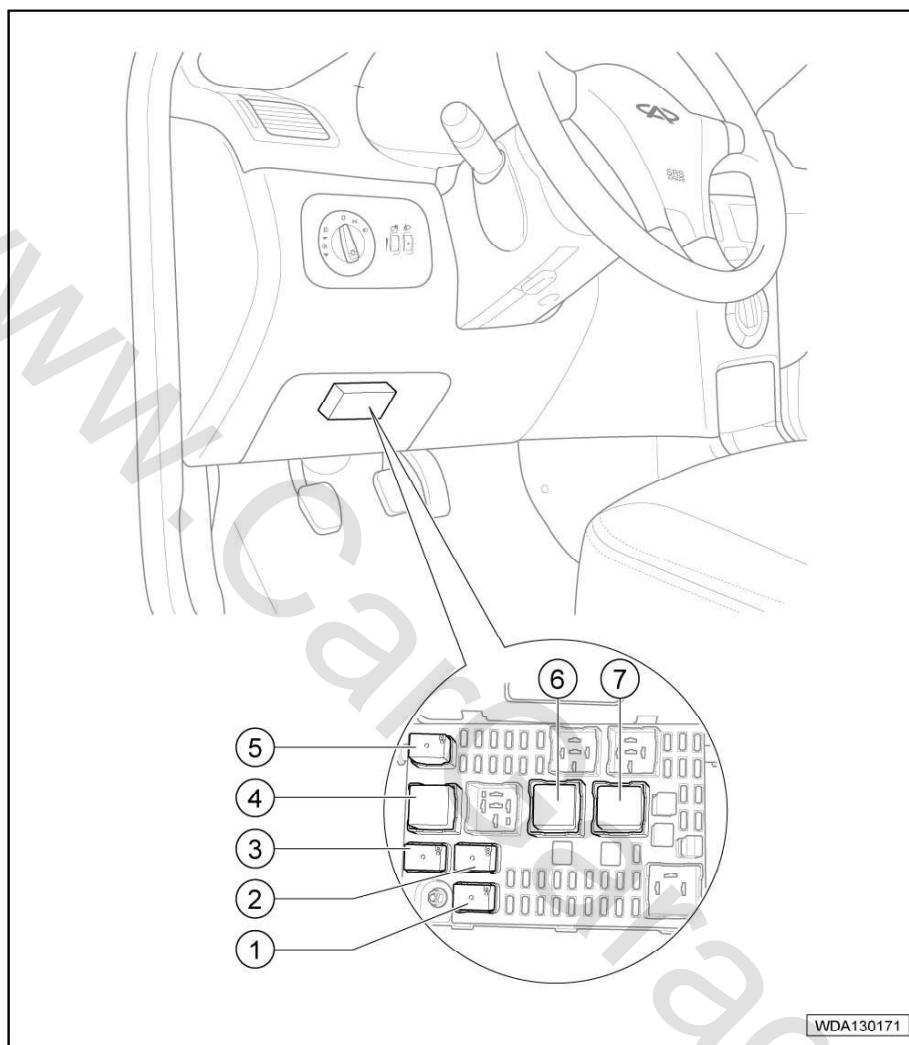
### 2.4.2 Front compartment fuse/relay box



No.	Connection piece	No.	Connection piece
1	Fan power supply	6	Starter
2	ABS controller 1	7	Generator
3	ABS controller 2	8	Fan low speed relay
4	Instrument fuse/relay box	9	Fan high speed relay

No.	Connection piece	No.	Connection piece
5	BCM (Body Control Module)		

### 2.4.3 Instrument fuse/relay box



09

No.	Connection piece	No.	Connection piece
1	Oil pump relay	5	High beam relay
2	A/C relay	6	Starter relay
3	Low beam relay	7	Blower relay
4	Electric injection control module relay		